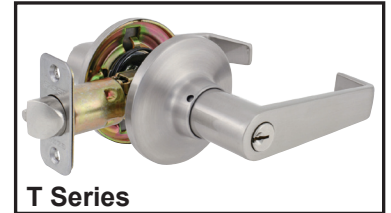
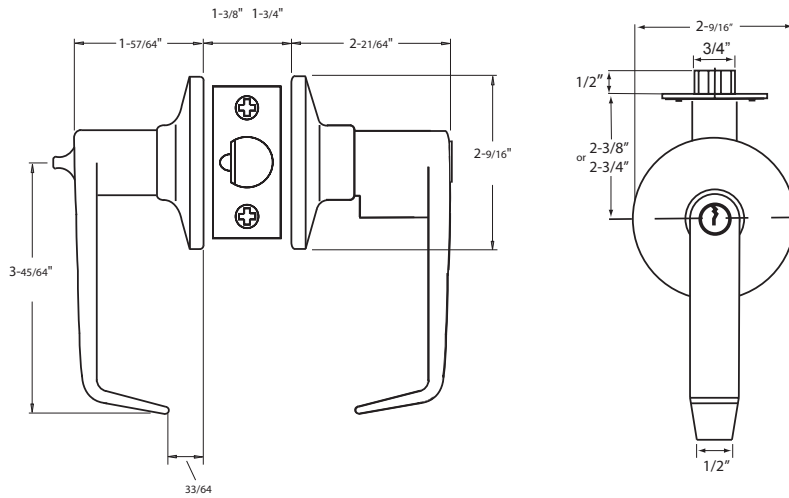


**T SERIES - ESCORT
GRADE 3 TUBULAR LEVER**



DIMENSIONS



STANDARD SPECIFICATIONS

Door Prep	Cross bore: 2-1/8" Edge bore: 1" Latch face: 1" x 2-1/4"	Latches	Entrance: 2-3/8" & 2-3/4" adjustable (9073) Passage/Privacy: 2-3/8" & 2-3/4" adjustable (9074) Faceplate: 1" x 2-1/4" round corner Bolt: 1/2" throw
Backset	Adjustable 2-3/8" and 2-3/4"	Strikes	1-3/4" x 2-1/4" full lip round corner (9103)
Door Thickness	1-3/8" ~ 1-3/4" door standard	Screws	Combination screws that suit both wood or metal door mounting
Cylinder	KW1 5-pin standard. SC1 5-pin optional Entries packed KA5	Door Handing	Not Required

PRICING

Model	Function	WT/LB	CTN QTY		US26D	US10B
500-T	Entrance	29 Lbs	20 Pcs	Item No.	220322	221329
				List Price		
504-T	Storeroom	29 Lbs	20 Pcs	Item No.	226322	226329
				List Price		
501-T	Passage	26 Lbs	20 Pcs	Item No.	224322	224329
				List Price		
502-T	Privacy	26 Lbs	20 Pcs	Item No.	222322	222329
				List Price		
502-T	Cylindrical Privacy Push Button	26 Lbs	20 Pcs	Item No.	222C22C	—
				List Price		
515-T	Dummy	18 Lbs	20 Pcs	Item No.	225322	225329
				List Price		

FUNCTIONS

See Function Guide on Page F-16.



THE DELANEY CO.

Copyright © THE DELANEY CO. All rights reserved.